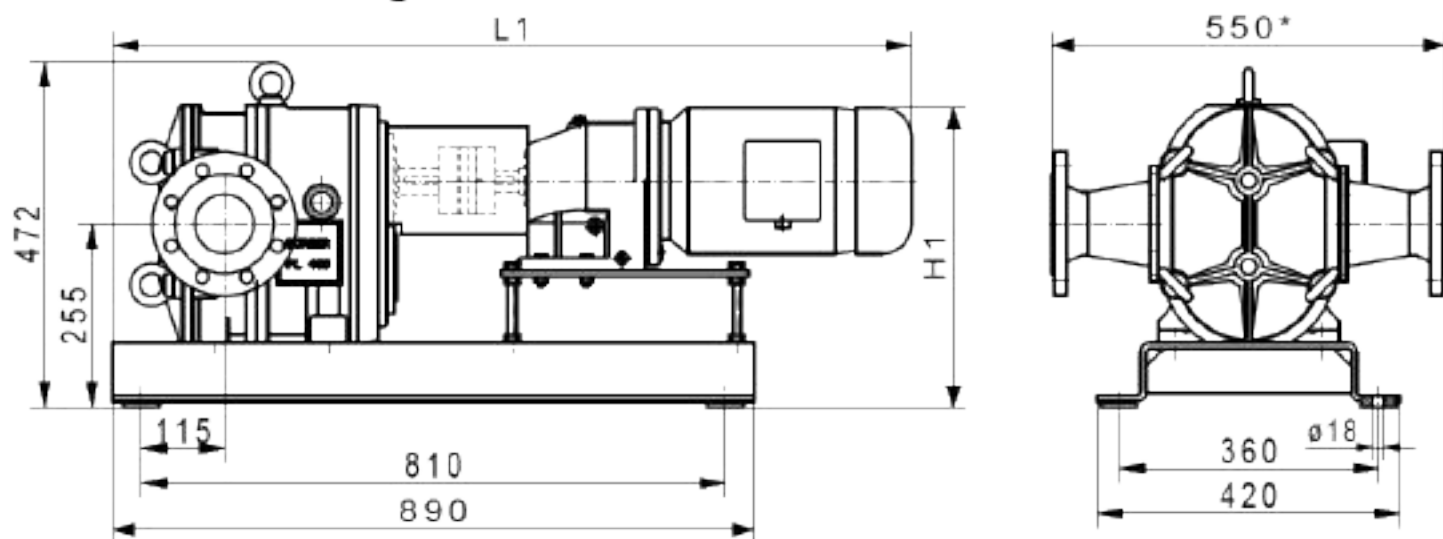


# front side arrangement



| Drive<br>[kW] | Weight<br>[kg] | Dimensions |         |         |         |
|---------------|----------------|------------|---------|---------|---------|
|               |                | L1 [mm]    | H1 [mm] | L2 [mm] | H2 [mm] |
| 2,2           | 190            | 1150       | 414     | 706     | 834     |
| 3             | 194            | 1150       | 414     | 706     | 834     |
| 4             | 206            | 1176       | 426     | 732     | 846     |
| 5,5           | 227            | 1233       | 426     | 789     | 846     |
| 7,5           | 240            | 1295       | 453     | 831     | 873     |
| 9,2**         | 256            | 1295       | 453     |         |         |
| 11**          | 295            | 1420       | 453     |         |         |
| 15**          | 359            | 1467       | 481     |         |         |

\* Standard flange

\*\* not available in overhead arrangement

Measure above single flange [A] / Measure above flanges [B]

|          | DN 80 [mm] | *DN 100 [mm] | DN 125 [mm] | DN 150 [mm] | DN 200 [mm] |
|----------|------------|--------------|-------------|-------------|-------------|
| DIN 2633 | 156/570    | 136/530      | 151/560     | 181/620     | 251/760     |
| ANSI 150 | 175/608    | 160/578      | 185/628     | 236/730     |             |

\* Standard flange

